

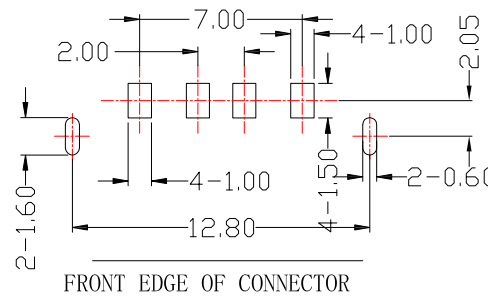
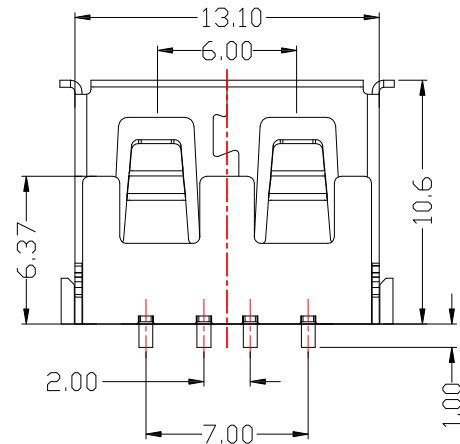
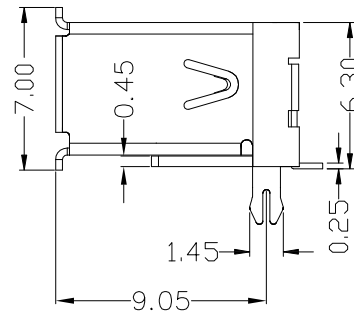
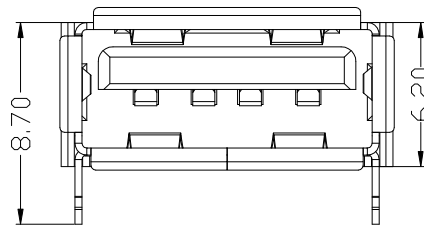
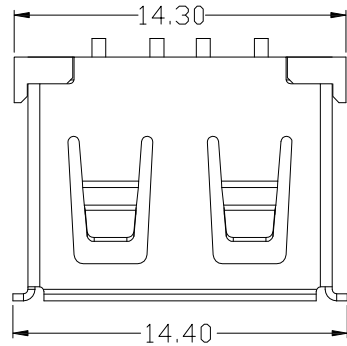


SUA-110M16-x-S236

COLOR :

Black: B

White : W



P.C.B LAYOUT MOUNTING PATTERN

SPECIFICATIONS

Electrical:

- 1.Contact Resistance: 30 mΩ Max
- 2.Dielectric Withstanding Voltage: 500 V AC FOR 1 MIN
- 3.Insulation Resistance: 1,000 MΩ Min
- 4.Operating Temperature: -55°C ~ 85°C

Mechanical:

- 1.Connector Mate and Unmate Force
Mate force: 35N(3.57 kgf) Max
Unmate force: 10~35N(1.02~3.57 kgf) Min



TOLERANCE UNLESS OTHERWISE STATED :

Up to 5 ±0.2
Above 5 ~ 15 ±0.3
Above 15 ~ 30 ±0.4
Above 30 ~ 50 ±0.5
Angle ±0.3°

3RD. ANGEL'S



UNITS MM

DRAWN BY:	DATE
Jack Lu	05/12/20
CHECKED BY:	DATE
Jacky Chen	05/12/20
APPROVED BY:	DATE
Tony Kao	05/12/20

MAT'L		TITLE	CONNECTOR
FINISH		MODLE	USB A/F 短體10.6 後2 腳,H:6.2 ,SMT腳
SCALE	1 : 1	DWG NO.	SUA-110M16-x-S236
SHEET NO.	1 of 1	PART NO.	SUA-110M16-x-S236
		SIZE	A4
		VER	R

ITEM NO.	DESCRIPTION	DRAWN	DATE